

**MTG & MVTG Series  
SMD Gull-Wing TCXO & VCTCXO**

**FEATURES**

- . Surface Mount Gull-Wing Package
- . Wide Frequency & Temperature. Range
- . 5V, 3.3V, 3V Operation

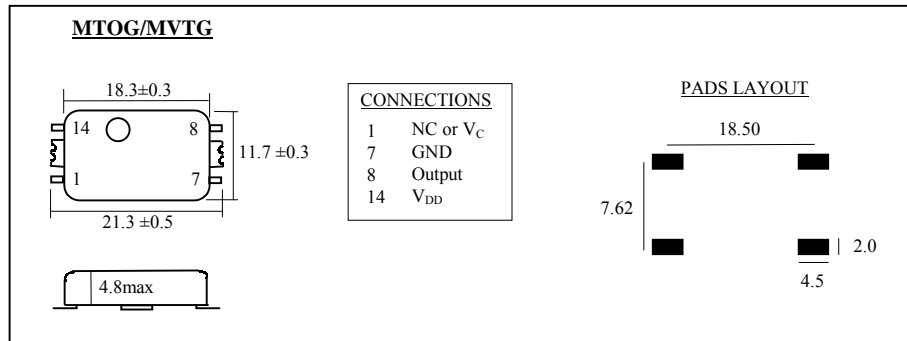
**SPECIFICATIONS**

(Subject to change w/o notice)

Parameters	TTL/HCMOS	Clipped Sinewave
Frequency Range	(1.2MHz) 9.6MHz ~ 35MHz (100MHz)	9.6MHz ~ 35MHz
Frequency Stability 25°C Ref. (Max)	±1ppm ~ 5ppm per operating temperature range; ±0.3ppm/Supply; ±0.3ppm/ Load; ±1ppm aging/1 <sup>st</sup> yr	±1ppm ~ 5ppm per operating temperature range; ±0.3ppm/Supply; ±0.3ppm/ Load; ±1ppm aging/1 <sup>st</sup> yr
Internal Trim (Min)	±3ppm	±3ppm
Operating Temp.	0°C ~ +50°C to -40°C ~ +85°C	0°C ~ +50°C to -40°C ~ +85°C
Storage Temp.	-40°C ~ +100°C	-40°C ~ +100°C
Supply Voltage V <sub>DD</sub>	5V, 3.3V, 3V ± 5%	5V, 3.3V, 3V ± 5%
Supply Current (Max)	20~35mA @ 5V; 15~30mA @ 3.3V, 3V	2~3mA @ 5V; 1.5~2.5mA @ 3.3V, 3V
Output Load (Max)	10 TTL/15pF HCMOS	10KΩ // 10pF
Output Voltage	V <sub>OL</sub> = 0.4V/10% of V <sub>DD</sub> max, TTL/HCMOS load V <sub>OH</sub> = 2.4V/ 90% of V <sub>DD</sub> min, TTL/HCMOS load	1.0Vpp Min @ V <sub>DD</sub> : 5V 0.8Vpp Min @ V <sub>DD</sub> : 3.3V/3V
Rise/Fall Time (Max)	10ns	10ns
Control Voltage V <sub>C</sub>	2.5V±2.0V, 1.65V±1.0V, 1.5±1.0V @ 5/3.3/3V V <sub>DD</sub>	2.5V±2.0V; 1.65V±1.0V; 1.5±1.0V @ 5/3.3/3V V <sub>DD</sub>
Frequency Control	±5ppm ~ ±20ppm min; positive slope	±5ppm ~ ±20ppm min; positive slope
Phase Noise (Max)	-145, -135, -115dBc/Hz @ 10KHz/1KHz/100Hz	-145, -135, -115dBc/Hz @ 10KHz/1KHz/100Hz

**OUTLINE**

(mm) not to scale



**PART NUMBERING**

Model	Supply	Frequency	Stability	Temperature Range	Output	Other Options
<b>MTG</b>	5: 5V	MHz	±PPM	Blank: -10C ~ +60C	Blank: CMOS/TTL	Custom Inquiries
<b>MVTG</b>	3.3: 3.3V	Value	Value	M: -20C ~ +70C	H: HCMOS	
	3: 3V			N: -30C ~ +75C	S: Sinewave	
<b>Example: MVTG5-25.000-2.5M</b>				<b>Please Consult Microcom Devices Ltd. for Custom Specifications</b>		